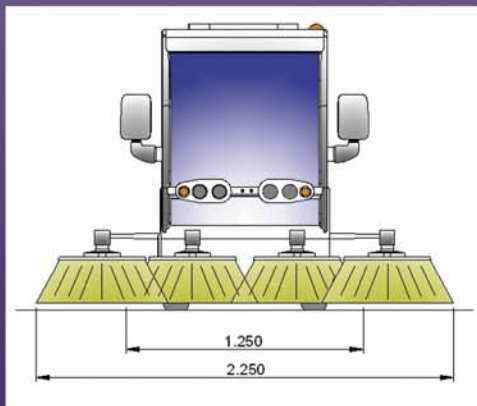


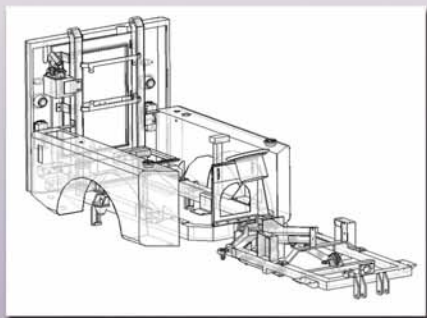
SELF-PROPELLED SUCTION STREET SWEEPER

ANTOLI 120 ARTICULATED



STREET SWEEPER

ANTOLI 120 ARTICULATED



DESING



MANUFACTURE



QUALITY

MAINTENANCE

PRESENTATION:

In his 2nd. Generation, the new street sweeper Antoli 120 Articulada, is reaffirmed as the most versatile, compact and powerful. Thanks to its central articulated axle, has great maneuverability and reduces the radius of turn. In addition to traction 4 wheels makes it ideal for all types of pavements and roads, and curbs of squares and sidewalks. Its powerful suction system and ease of use of brushes joystick lets you one last sweep of any street, square, track, etc ...

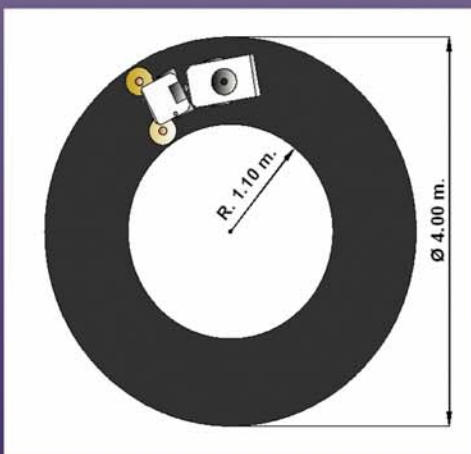
This 2nd. generation has redesigned the cockpit to have total visibility and complete sweep of the area.



HOPPER DUMPING:

Drains the waste by an hydraulic tipping system, adapted for hopper dumping on standardized containers.

Hopper Dumping height: 1.400 mm.



MANEUVERABILITY

Thanks to its technical features and a compact design with central axle, this street sweeper has great maneuverability, allowing it to get into difficult places for efficient sweeping.



INSIDE

Wide area and comfortable interior with excellent visibility through the large glass front and side. With adjustable tilt steering wheel, comfortable and versatile, easy to drive despite its large dimensions.

Technical Features**ANTOLI 120 ARTICULATED.****Features and Weight.**

Length / Width / Height.	3.500 / 1.300 / 2.000 mm
Distance between axles.	1.430 mm
TARA / MMA / Payload.	1.800 / 3.500 / 1.700 Kg.

Engine.

Mark / Model.	Kubota / V2403-M-E3B
Cylinder Capacity / Cylinder.	2.434 cm ³ / 4 in line.
Power.	36,5 Kw. 50 CV to 2.700 rpm
Fuel.	Diesel
Emissions Regulations.	EPA Tier 4. EU Stage 3A.

Transmission.

Type / Traction.	Hydrostatic / To 4 wheels, with independent engine each wheel.
Speed: Work / Displacement.	from 0 to 15 Km/h / Maximum 25 Km/h.
Maximum slope.	30%

Brakes.

System Brake.	Hydrostatic to 4 wheels.
Emergency.	Hydraulic by pedal and drum brake.
Parking.	Hydraulic means of electrical switch.

Steering & Chassis.

Chassis.	Articulated swing compensated. Torsion stabilizer.
Steering / Turn.	Articulated Hydraulic / Turn to 45°.

Axles, Suspension & Tires.

Front / Back.	2 driving wheels / 2 driving wheels
Suspension.	Elastic pads in back axle.
Tires.	195R 14 C.

Electric System & Illumination.

Battery/ Alternator.	12 V 92 Ah / 14 V 70 A.
Illumination.	Conforms to highway regulations.

Sweep System.

Aspiration.	High yield turbine, adjustable from 1.500 to 2.600 rpm.
Floating Mouthpiece Aspiration.	Floating. With flap for residues of great volume. Width 600 mm.
Aspiration Tube	Placed straight across to encourage aspiration. Ø 180 mm.
Tube of Auxiliary Aspiration.	Placed in top side of Hopper of residues. Length 4 m. Ø 125 mm.
Work output.	22.000 m ² /h.

Brushes.

Quantity / Dimensions / Speed.	2 Standart side brushes / Ø 900 mm / from 0 to 200 rpm.
Brushes mobility.	Means Joystick with independent mobility.
Safety.	Floating and retractable brush to impact.
Sweeping Width.	From 1.250 to 2.250 mm.

Hopper.

Hopper / Capacity.	Made in stainless steel / Gross Capacity 1.200 Litres.
Turn On Tilt.	With turn on tilt hydraulic / Height 1.400 mm.
Safety.	It offers manual lifting of emergency.

Irrigation System

Water Tank / Capacity.	Made in stainless steel / 200 Litres of fresh water
Recycled Water.	150 Litres of recycled water for floating mouthpiece aspiration and tube.
Irrigation.	By electric pump, with diffusers brushes.

Cabin.

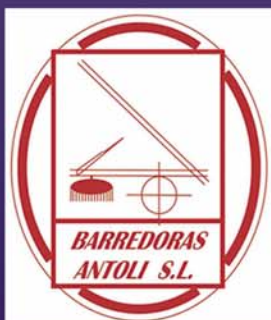
Cabin.	Comfortable with acoustic and thermal isolation and suspension.
Plazas.	2 squares. Totally adjustable driver's seat.
Visibilidad / Espejos.	Large glass area and total visibility of brushes / 2 retractable.
Confort.	Air conditioning and heating. Adjustable steering wheel. Radio CD.
Instrumentation.	Ergonomically positioned and optimum performance and visibility to the operator.

Optional Equipments.

High pressure cleaning system with pistol.
Monitoring equipment and camera for rear vision.
Third front extendible brush.
Front hydraulic outlets for other services or equipment.

It fulfills safety norms (safety in machines) 98/37CEE and 89/392 CEE.

This catalogue is subject to modifications without previous notice.



BARREDORAS ANTOLI S.L.

Polg. Ind. Dehesa Boyal, Nº 5-8.

Apartado Correos Nº 49.

14400 - POZOBLANCO (Córdoba) ESPAÑA.

Teléfono +34 957 770 439 Fax (+34) 957 770 491.

Web: www.barredorasantoli.com

E-mail: barredorasantoli@telefonica.net

